



Innovation

# patented air-blending system

Saunum's patented air-blending system traps scorching steam and mixes it with cooler, more oxygen-rich air near the floor, equalizing the heat and steam throughout the sauna. This ensures a more even temperature of the steam, and the oxygen-enriched steam makes it easier to breathe. More water may be ladled onto the rocks of the heater to produce richer, more luxurious steam, resulting in more intense sweating.



## timeless and classic design

Saunum's innovative air blending system is incorporated into the heater, resulting in a timeless and classic design without the need for a visible flue. Crafted using Magnelis® and stainless steel, the heater becomes a durable and long-lasting choice for all your heating needs.

The dual-level stone basket and large stone capacity ensure prolonged heat retention, thereby enhancing the heater's energy efficiency. The heating elements are made of corrosion-resistant AISI 316, ensuring the longevity of the heating elements.

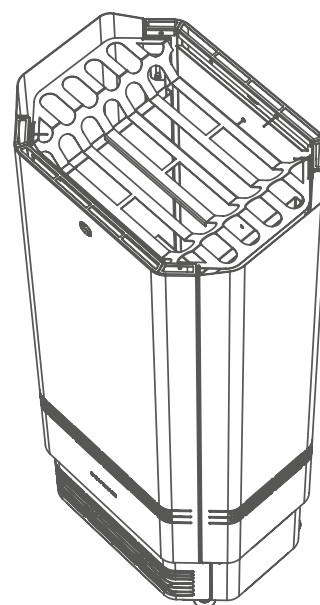
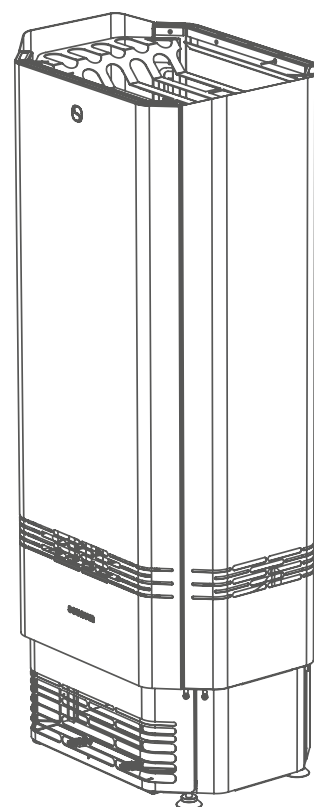
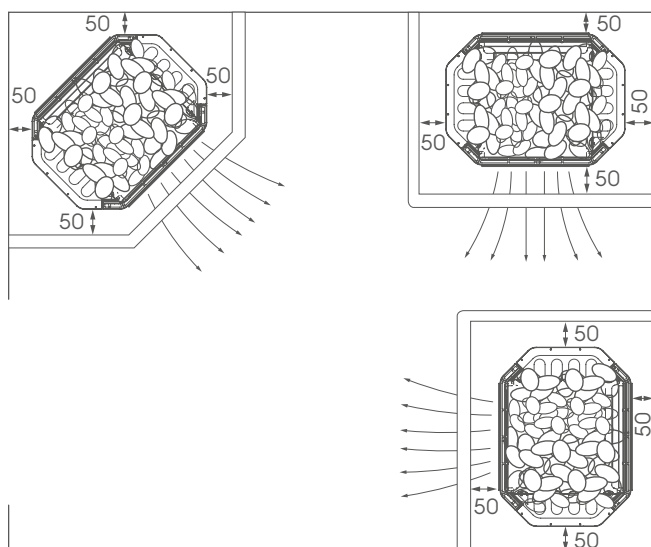
Steam water is evenly distributed through the top layer of stones, reducing thermal shock to both the heating elements and the lower stones, and promoting a more consistent sauna experience. The Saunum Spa Session comes equipped with steam guidance positioner, offering convenient air distribution options.



## Installation

# versatile heater

The Saunum Spa Session is a versatile heater that can be installed alongside a wall or in a corner of the sauna room, offering flexible installation options. The sauna climate device is designed to heat the sauna room to temperatures ranging from 40 to 90 °C while also maintaining a balanced climate during steaming.



## thermal protection

Thermal protection is provided by means of thermal cut off in the temperature sensor (part of Leil controller kit) and also a secondary cut off controller inside the heater.

**Please note!** The climate control unit and the heater of the sauna must not be operated in temperatures exceeding 90 °C.

## saunum leil control unit

With the Leil control unit, it is very easy to control the heater and the sauna climate device. You can heat the sauna and adjust the climate with just a few taps directly from the touch screen.





Health

## enriching the air with salt ions

With Saunum's patented method of enriching the air with salt ions, the salt ions from the natural salt spheres added to the sauna climate device are infused into the circulating air to reach the skin and respiratory tract. Salt aerosol is valued as a decongestant used for reducing inflammation and possesses antimicrobial properties. Salt therapy is a popular treatment for asthma, bronchitis, pneumonia, sinusitis and provides relief of respiratory difficulties in children and adults.



Relaxing  
Home Spa



Traditional  
Nordic Sauna



Milder  
Longer-Lasting  
Steam



Improves  
Breathing  
Comfort



Suitable for  
the Whole  
Family



Aromatherapy

## therapeutic aroma oil mixed with steam

Add another layer of sensory pleasure with the aromatherapy system, which mixes sauna essential oil aromas within the steam. It is a healthy alternative to burning aromatic oil on the hot stones.



Sensational experience

## relaxing 5-in-1 spa solution

Try different settings and steam intensities to turn your sauna into a home spa.



### Classic Nordic sauna

Temperature 60 °C–90 °C

The climate regulating system: speed level 1



### Humid steam-rich sauna

Temperature 45 °C–60 °C

The climate regulating system: speed level 2 or 3  
The lower the temperature and the higher the speed of the climate regulating system, the more steam is generated when throwing water on a heater.



### The mild, relaxing sauna

Temperature 40 °C–55 °C

The climate regulating system: speed level 1  
Perfect if you prefer a softer, more humid sauna.



### Sauna enriched with salt ions

Temperature 40 °C–90 °C

The climate regulating system: speed level 1  
The salt spheres added to the climate device work at any temperature, if the sauna climate device is switched on.



### Aroma sauna

Temperature 40 °C–90 °C

The climate regulating system: speed level 1  
Replace one of the salt spheres with an aroma bowl, add some Saunum aroma oil into it and enjoy!



saunumsaun



saunumsauna



saunum



saunum